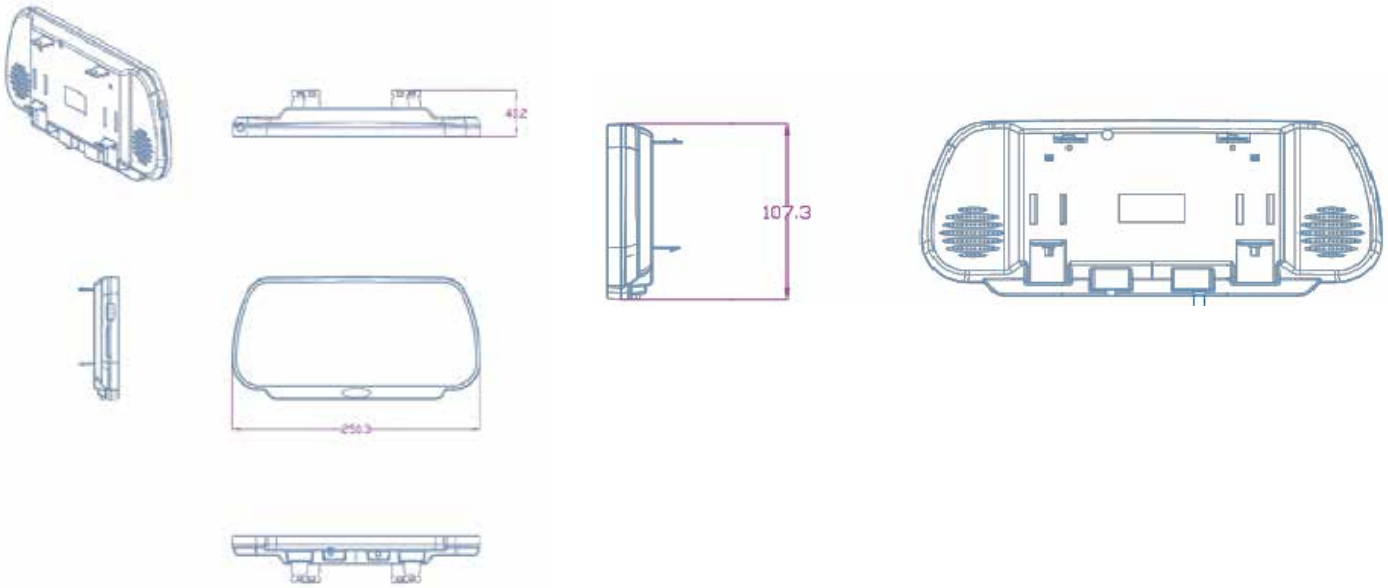


Product Spec

Brigade Model Number: BL-270HM

Part Number: 7153



Environmental Specifications:

Vibration Rating: 10G

Operating Temperature: -30° to +70°C

Storage Temperature: -40° to +80°C

Approved Standards:

CE
UKCA
RoHS
REACH
WEEE

Technical Specifications:

Operating Voltage: 12/36 Vdc

Current Consumption: 300mA

Power Consumption: 3.6W (no cameras connected)

TV system: PAL/NTSC

Panel size: 7 inch

Resolution: 1024*3(RGB)*600

Brightness: 520cd/m2

Number of Video Inputs: 2 Camera

Number of Triggers In: 2

Visual Resolution Input support:
1080P/720P/CVBS

Assembled Weight: 0.64kg

Technical Specifications Continued:

Video Output: Approx 1.0 Vp-p / 75Ω

Length of Cable: 50cm

Overall Dimensions: 250.3mm(W) x 107.3mm(H) x 40.2mm(D)

Housing Material: Plastic

Finish: Black

Features:

LCD Panel

On Screen Display Menu (OSD)

Package Contents:

1 x BL-270HM (7153)	- Monitor
1 x BL-270HM-PC	- Power cable
1 x BL-270HM-BKT	- Metal bracket (fitted to back of monitor)

Optional Extra:
BMM-015 Fan Bracket (3148A)

System option:
BL-270HM-015 (Monitor including BMM015) (7298)

Spare parts:	
1 x BL-270HM-M Only (S7293)	- Monitor
1 x BL-270HM-PC (S7253)	- Power cable
1 x BL-270HM-BKT (S7256)	- Metal bracket (fitted to back of monitor)